

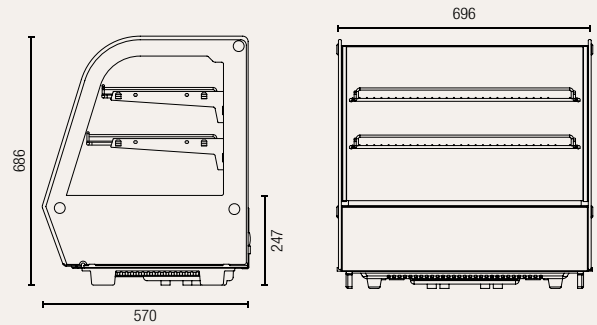
# Counter Top Cake Display Refrigerators

## Features:

- Digital temperature display and electronic controller
- Dynamic fan forced cooling system
- Sliding door for easy access
- Frequency/voltage: 50Hz/220-240 V
- Shelf material: chrome coated steel
- Top LED internal light
- Refrigerant: R600a
- Ambient temperatures from +16°C to +32°C



## CTC120



**Gross volume:** 120 L

**Exterior dimensions in mm:** 710w x 575d x 686h

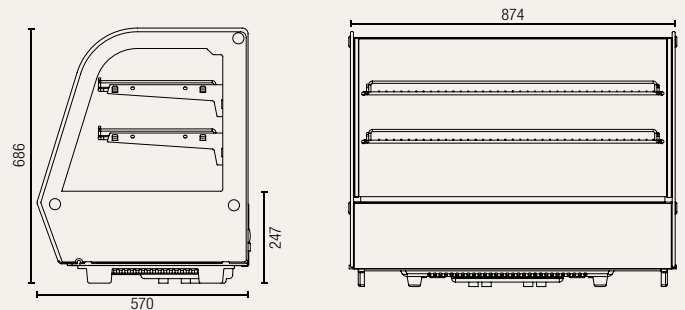
**Number of adjustable shelves:** 2

**Temperature set range:** 0°C to +12°C

**Gross/net weight:** 66/64 kg

**Energy consumption in 24h:** 2.75 kWh

## CTC160



**Gross volume:** 160 L

**Exterior dimensions in mm:** 890w x 575d x 686h

**Number of adjustable shelves:** 2

**Temperature set range:** 0°C to +12°C

**Gross/net weight:** 74/71 kg

**Energy consumption in 24h:** 2.85 kWh

All specifications are subject to change without prior notice.